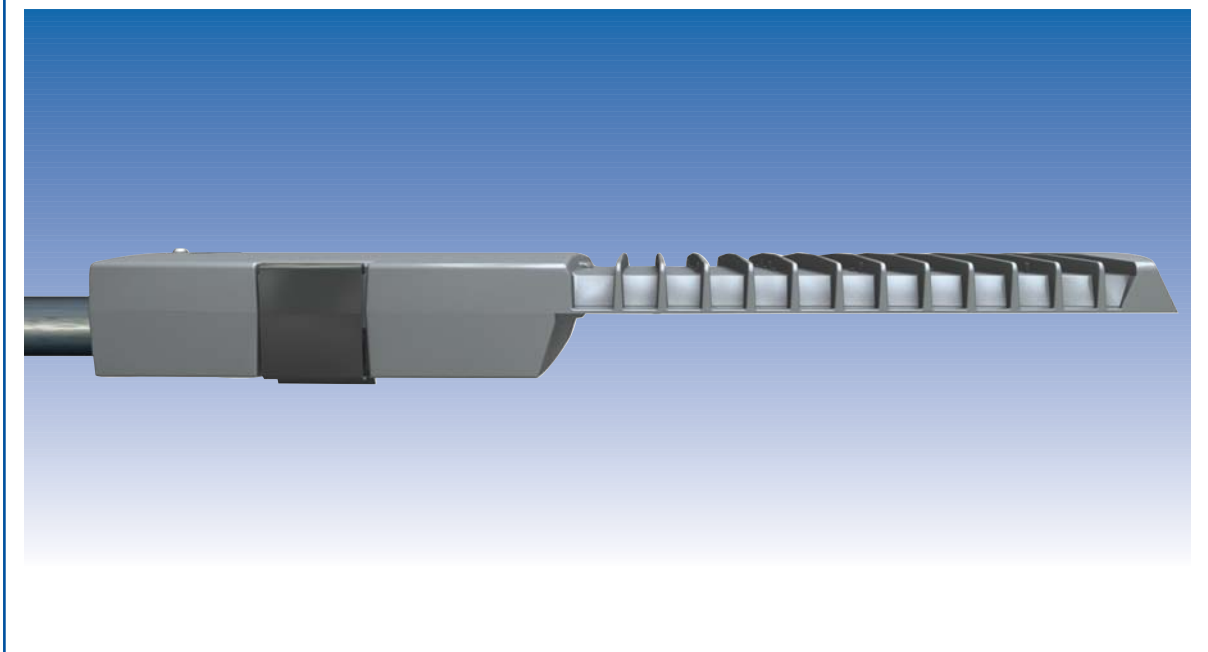


BEKA SOLAR
BEKA LEDlume LUMINAIRE



BEKA
SOLAR



BEKA

SABS **SABS**
ISO 9001

BEKA SOLAR BEKA LEDlume LUMINAIRE

APPLICATIONS

- STREET LIGHTING
- AREA LIGHTING
- SECURITY LIGHTING
- PARKING AREAS
- ROADS IN OFF-GRID AREAS

FEATURES

- DESIGNED TO OPERATE RELIABLY AT A HIGH LIGHT OUTPUT OVER A 12 TO 14 HOUR PERIOD
- IT HAS SUFFICIENT AUTONOMY TO CATER FOR UP TO TWO CONTINUOUS OVERCAST OR RAINY DAYS, TO CONTINUE ITS RELIABLE NIGHT OPERATION
- INTEGRATED SOLAR COMPONENTS
- THEFT AND VANDAL RESISTANT
- ENGINEERED FOR ALL GEOGRAPHICAL LOCATIONS IN AFRICA

FOR LUMINAIRE SPECIFICATIONS, REFER TO THE BEKA LEDlume BROCHURE.

LIGHT SOURCE

- High power OSRAM LEDs with a neutral white colour and a maintenance-free lifespan of 50 000hrs. (4 500K, CRI >70)

MATERIAL

- The mast and luminaire bracket are manufactured from hot-dipped galvanized, mild steel.
- The battery housing is manufactured from powder-coated mild steel.

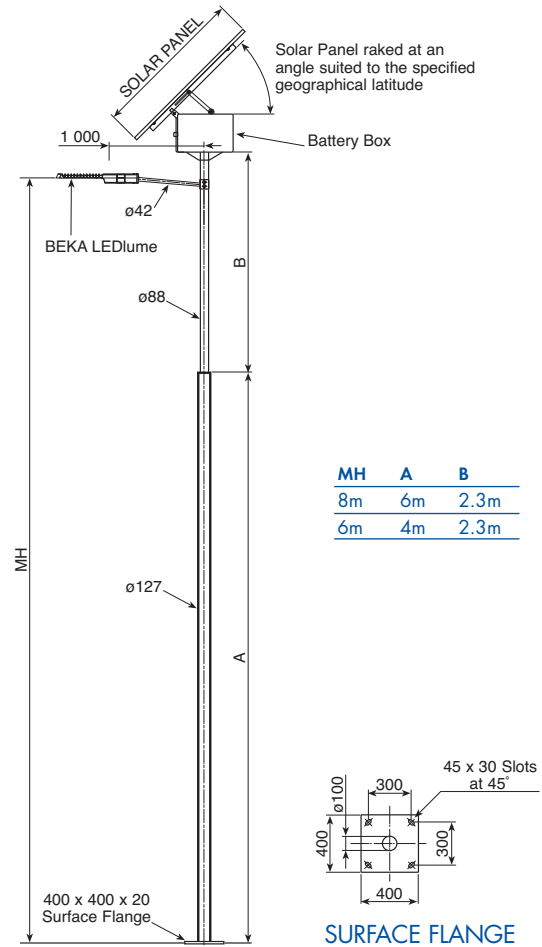
BATTERY

- Deep discharge maintenance-free battery with an expected lifetime of 3-4 years or 5-7 years, depending on the type of battery.
- Sufficient capacity to cater for up to two overcast or rainy days.
- Autonomy days: 2 days

SOLAR MODULE

- Polycrystalline module with an expected minimum lifetime of 25 years.
- Rated output: 120-235W depending on the system load and geographical location.

VERSIONS/DIMENSIONS IN MM



ELECTRONIC DATA FILES CAN BE
DOWNLOADED FROM www.beka.co.za

ORDERING DATA

DESCRIPTION	LUMEN	MASS (KG)
BEKA LEDlume 12/23W-12V	1 812	6.9
BEKA LEDlume 36/47W-12V - with OptiPower	4 032	7
BEKA LEDlume 36/47W-24V	4 032	7
BEKA LEDlume 48/61W-24V - with OptiPower	5 376	7

ACCESSORIES

DESCRIPTION
SOLAR PANEL ASSEMBLY 120W
SOLAR PANEL ASSEMBLY 175W
SOLAR PANEL ASSEMBLY 235W
BATTERY BOX FOR ONE BATTERY
BATTERY BOX FOR TWO BATTERIES
BATTERY 12V 100Ah GEL - EXPECTED LIFETIME 3-4 YEARS
BATTERY 12V 100Ah LEAD CRYSTAL - EXPECTED LIFETIME 5-7 YEARS
BATTERY 12V 120Ah LEAD CRYSTAL - EXPECTED LIFETIME 5-7 YEARS
STEEL POLE WITH 1M OUTREACH ARM, 6M MOUNTING HEIGHT, FLANGE MOUNTED
STEEL POLE WITH 1M OUTREACH ARM, 6M MOUNTING HEIGHT, BURIED VERSION
STEEL POLE WITH 1M OUTREACH ARM, 8M MOUNTING HEIGHT, FLANGE MOUNTED
STEEL POLE WITH 1M OUTREACH ARM, 8M MOUNTING HEIGHT, BURIED VERSION
STUBBY (INSTEAD OF CONCRETE FOUNDATION) SEE DRAWING P01-01-79-H

DESIGNED AND MANUFACTURED BY
BEKA (PTY) LTD - SOUTH AFRICA

MANUFACTURERS OF LUMINAIRES AND GLASS FIBRE POLES

01/12



BEKA (PTY) LTD, 13 West View Road • P.O. Box 120, Olifantsfontein 1665, South Africa
Tel: +27 (0)11 238-0000 • Fax: +27 (0)11 238-0180
e-mail: info@beka.co.za • website: www.beka.co.za